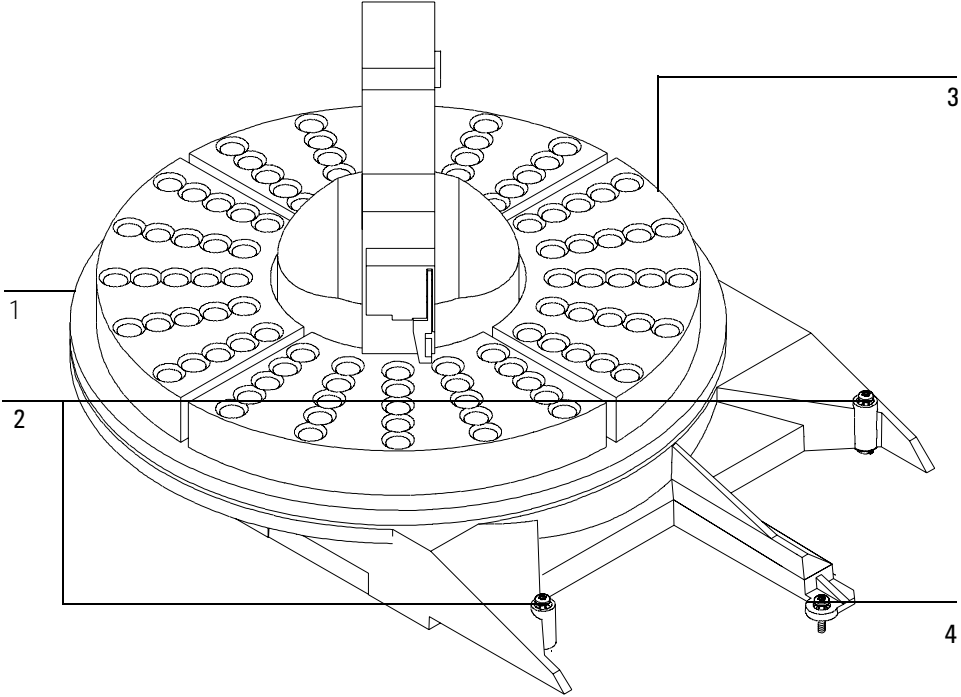

Tray, part no. G2614A

| | Description | Part no. | Qty/Assy |
|----|---------------------------------|-----------------|-----------------|
| 1. | Tray module assembly (new) | G2614-60965 | — |
| | Tray module assembly (exchange) | G2614-69965 | — |
| 2. | Torx screw, T-20, m4 × 45 mm | 0515-2484 | 2 |
| 3. | Quadrant/ 4pk | 18596-40015 | 1 |
| 4. | Torx screw, T-20, m4 × 20 mm | 1390-1024 | 1 |
| NS | Main tray cable | G2614-60610 | 1 |



G2614A Tray replacement parts
